

Controlled Environments
Middle East
Africa
Turkey
Central Asia
India

Protected by



Cold Store Doors

Hinged Doors

MOD 608TP - 609TL - 612TXL - 612TXXL



Hinged Doors

The doors MOD 608TP - 609TL - 612TXL - 612TXXL, as a key element of the structure and functionality of cold rooms, are perfectly adapted, hermetically sealed and contribute significantly in maintaining temperature constant.

- MOD 608TP up to 0°C
- MOD 609TL up to -25°C
- MOD 612TXL up to -30°C
- MOD 612TXXL up to -40°C

Standard

Plastified sheet



Optional

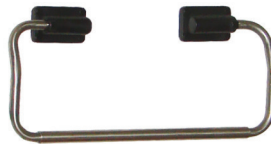
Stainless steel sheet



Options



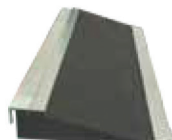
Porthole 300mm x 500mm



Antipanic push bar for emergency exit



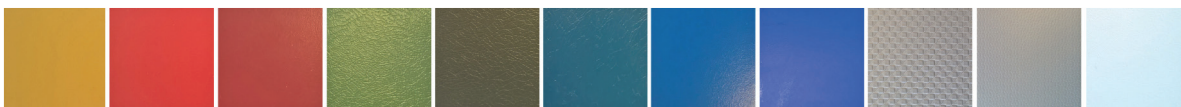
Decorative protective bumpers



Entrance ramp

- A. Angle - shaped frame, made from heavy duty, robust and reinforced with marine plywood, PVC, with modern German design and high mechanical strength. In accordance with HACCP standards. EASY-PASS (quick & easy assembly).
 - B. Standard door leaf with Polyurethane insulation supplied from Germany of density 42 kg/m³, with injection at heated press of 500 tonnes. Door surface made from German steel sheets 30% thicker than the competition, plasticized to a thickness of 200 µm with Sanisteel® ilm coating with antibacterial properties.
 - C. Single section door (Monoblock), maximum dimension up to 1500 x 2500 mm. It locks in three points with 6 hinges.
 - D. Lock mechanism & hinges for all hinged doors.
 - E. Border gaskets, insulating properties with beehive cells, perfect adhesion, and with door heating element installed for the defrosting.
- Five year written guarantee.
 - Wide colour range.

Colors

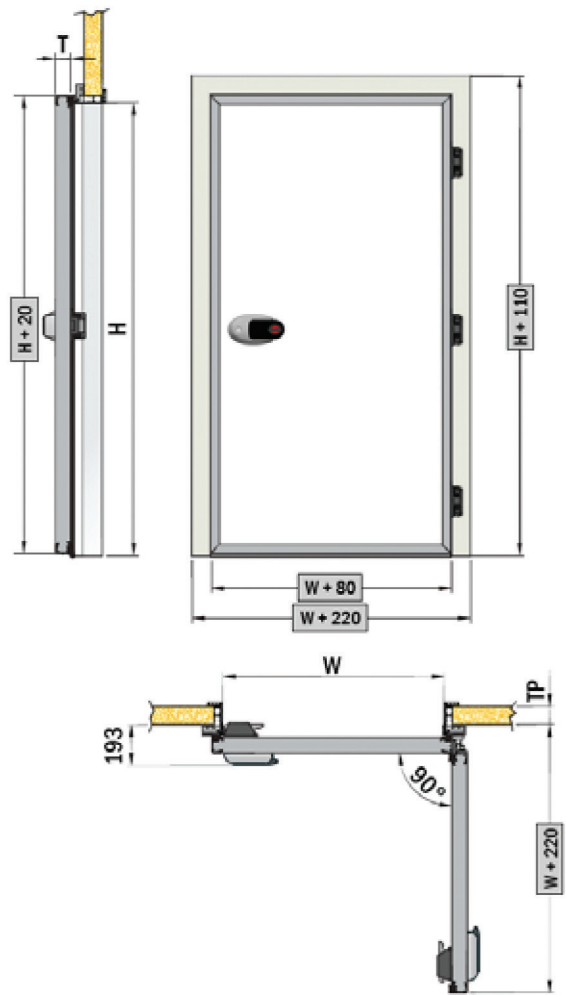


RAL 1006 RAL 3000 RAL 3003 RAL 6025 RAL 6007 RAL 5001 RAL 5010 RAL 5017 RAL 7000 RAL 7001 RAL 9010

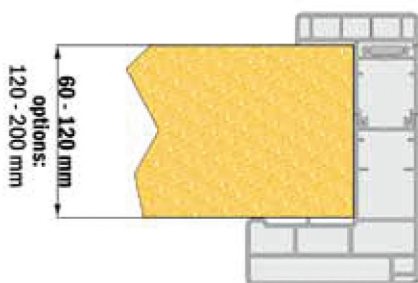
Guarantee of immediate delivery of spare parts for 15 years.

Standard Measurements

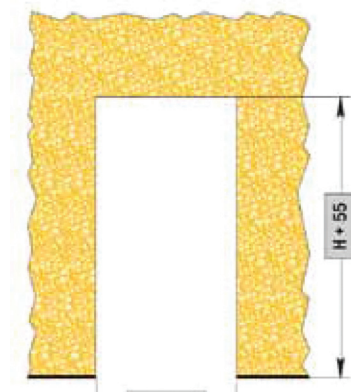
MOD 608TP	MOD 609TL	MOD 612TXL	MOD 612TXXL
Wx H	Wx H	Wx H	Wx H
800 x 2000	800 x 2000	800 x 2000	800 x 2000
800 x 2100	800 x 2100	800 x 2100	800 x 2100
800 x 2200	800 x 2200	800 x 2200	800 x 2200
900 x 2000	900 x 2000	900 x 2000	900 x 2000
900 x 2100	900 x 2100	900 x 2100	900 x 2100
900 x 2200	900 x 2200	900 x 2200	900 x 2200
1000 x 2000	1000 x 2000	1000 x 2000	1000 x 2000
1000 x 2100	1000 x 2100	1000 x 2100	1000 x 2100
1000 x 2200	1000 x 2200	1000 x 2200	1000 x 2200
1100 x 2000	1100 x 2000	1100 x 2000	1100 x 2000
1100 x 2100	1100 x 2100	1100 x 2100	1100 x 2100
1100 x 2200	1100 x 2200	1100 x 2200	1100 x 2200
1200 x 2000	1200 x 2000	1200 x 2000	1200 x 2000
1200 x 2100	1200 x 2100	1200 x 2100	1200 x 2100
1200 x 2200	1200 x 2200	1200 x 2200	1200 x 2200
1300 x 2000	1300 x 2000	1300 x 2000	1300 x 2000
1300 x 2100	1300 x 2100	1300 x 2100	1300 x 2100
1300 x 2200	1300 x 2200	1300 x 2200	1300 x 2200
1300 x 2300	1300 x 2300	1300 x 2300	1300 x 2300
1300 x 2400	1300 x 2400	1300 x 2400	1300 x 2400
1400 x 2000	1400 x 2000	1400 x 2000	1400 x 2000
1400 x 2100	1400 x 2100	1400 x 2100	1400 x 2100
1400 x 2200	1400 x 2200	1400 x 2200	1400 x 2200
1400 x 2300	1400 x 2300	1400 x 2300	1400 x 2300
1400 x 2400	1400 x 2400	1400 x 2400	1400 x 2400
1500 x 2500	1500 x 2500	1500 x 2500	1500 x 2500



Door installation on panel



Horizontal section of the aluminum frame that covers the panel

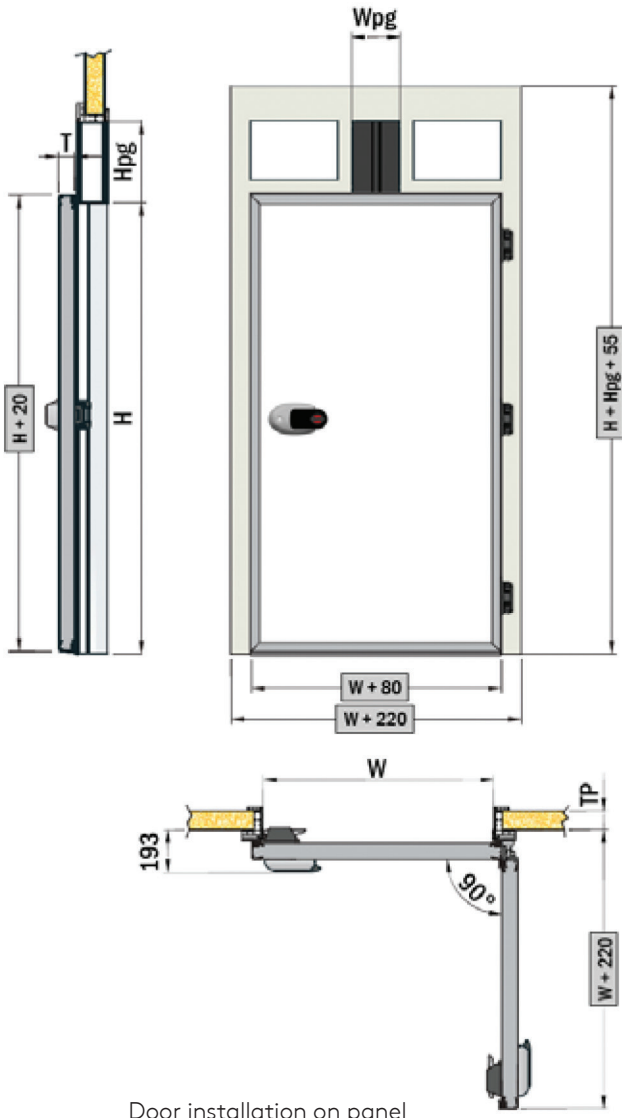


Hole dimensions on panel for mounting of frame and door

Other size are possible contact the technical office of Polidoor.

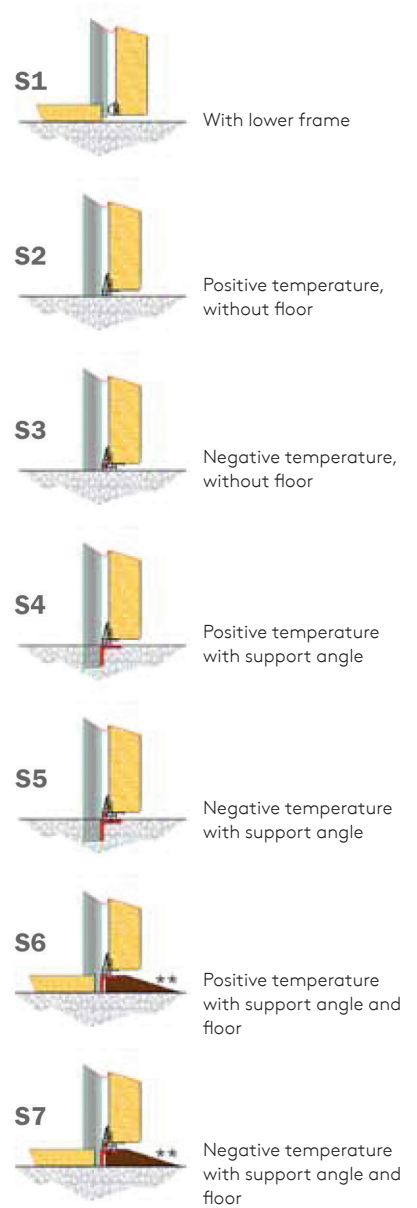
MOD 608TPY

Hinged Doors with Rail Passage Standard Measurements

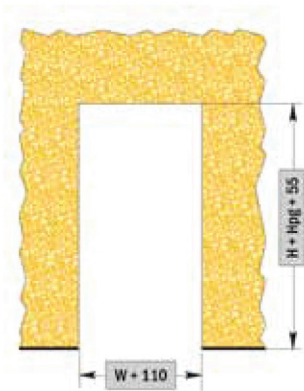


Door installation on panel

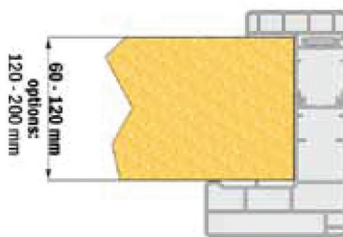
W x H
800 x 2000
800 x 2100
800 x 2200
900 x 2000
900 x 2100
900 x 2200
1000 x 2000
1000 x 2100
1000 x 2200
1200 x 2000
1200 x 2100
1200 x 2200
1300 x 2200
1400 x 2200
1500 x 2200



**optional ramp rampe en option



Hole dimensions on panel for mounting of frame and door



Horizontal section of the PVC frame that covers the panel



for TXXL doors (up to -40°C), resistance is placed in an aluminum profile in the support angle



Certifications

The Polidoor by kingspan products are certified with ISO 9001: 2008. The products are certified with CE in accordance with European Directive 89/106/ EC.



TR

Kingspan Yapi Elemanlari A.S.

Çırağan Cad. No: 97
Ortaköy 34347 Beşiktaş
İstanbul
Turkey
T: +90(212) 236 60 32 (pbx)
F: +90(212) 236 08 38
www.kingspanpanels.tc

AE

Kingspan Insulated Panels

Manufacturing LLC
P.O. Box 60493
Dubai Investment Park
U.A.E.
Dubai
T: +971 (0) 4 8854 232
F: +971 (0) 4 883 8515
www.kingspanpanels.ae

For the product offering in other markets
please contact your local sales representative
or visit www.kingspanpanels.com

Care has been taken to ensure that the contents of this publication are accurate, but Kingspan Limited and its subsidiary companies do not accept responsibility for errors or for information that is found to be misleading. Suggestions for, or description of, the ened use or application of products or methods of working are for information only and Kingspan Limited and its subsidiaries accept no liability in respect thereof.